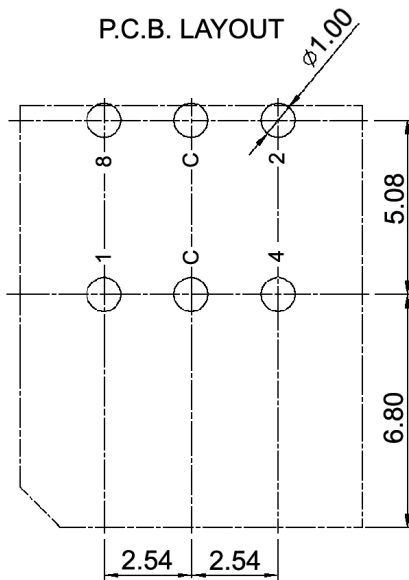


P.C.B. LAYOUT



Compliance: RohS III (2015/863/EU)

Tolerances: $\leq 10\text{mm}$:			Date	Name
$\geq 10\text{mm}$:			08/07	dr
UL94	09/22	dr		
Material	02/21	dr		
Soldering conditions	01/11	dr		
IP rating	06/09	dr		
Operating temperature	09/08	dr		
Temperatures	01/08	dr		
Modifications	Date	Name		

DRR 60010

knitter-switch

30 11 90

Page

1/2

Specifications:

Contact rating: switching: 150mA, 42V DC
 non-switching: 200mA, 42V DC
 Contact resistance: 80mOhm max.
 Insulation resistance: 100MOhm min.
 Mechanical life: 10 000 cycles
 Operating force: 700gf max.
 Operating temperature: -40°C to +85°C
 Storage temperature: -40°C to +85°C
 Soldering conditions: pre-heat: max. 120°C, max. 70sec.
 wave soldering: max. 260°C, max. 10sec.
 IP rating: IP67
 Material: Cover: PA66, UL94V-0, white
 O-ring: silicone, black
 Actuator: POM, UL-94HB, gray
 PCB: epoxy
 Base: PA66, UL94V-0, black
 Terminal / contact: phosphor bronze, min. 0.07µm gold plated
 over min. 0.1µm nickel

BCD

		Real coded				
		C	1	2	4	8
10 P o s i t i o n s	0	●				
	1	●	●			
	2	●		●		
	3	●	●	●		
	4	●			●	
	5	●	●		●	
	6	●		●	●	
	7	●	●	●	●	
	8	●				●
	9	●	●			●

Compliance: RohS III (2015/863/EU)

Tolerances: ≤ 10mm:			Date	Name	DRR 60010
≥ 10mm:			08/07	dr	
UL94	09/22	dr			30 11 90
Material	02/21	dr			
Soldering conditions	01/11	dr			
IP rating	06/09	dr			
Operating temperature	09/08	dr			
Temperatures	01/08	dr			Page
Modifications	Date	Name	knitter-switch		2/2